

Control 24

24VAC SimplySNAP Wireless HVAC/MAU Control Retrofit Kit

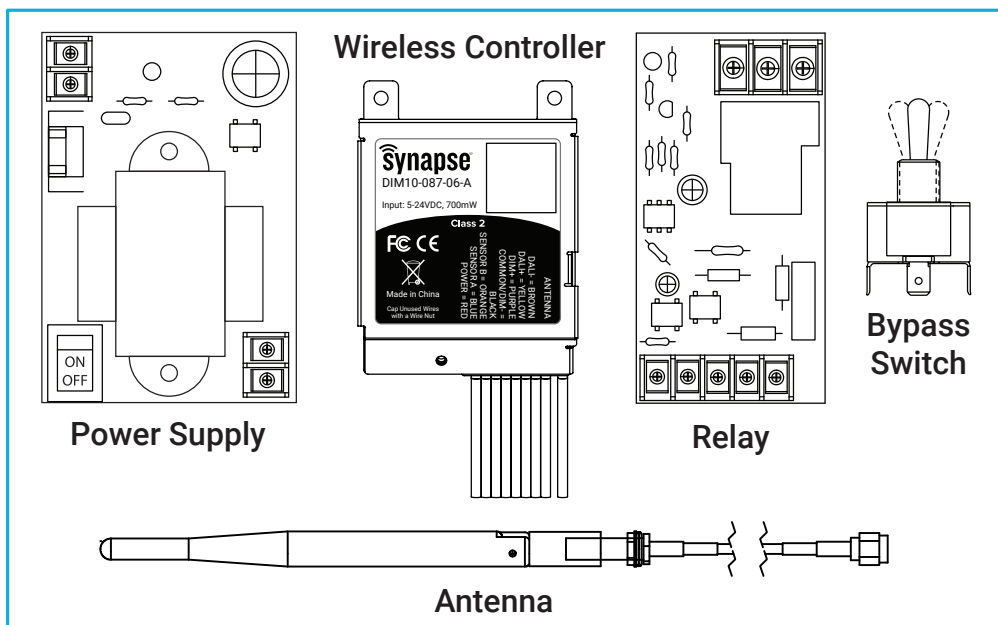
Overview

The Control 24 provides wireless controls for HVAC and MAU equipment. It is powered by the 24VAC output of the HVAC and enables or disables the thermostat control. The Control 24 provides all of the zoning, scheduling, scenes and sensor control capabilities available in SimplySNAP for HVAC and MAU applications.

See Installation Guide for More Details

Features

- Modular design
- Powered by existing HVAC power
- Range of 1000 feet, line of sight
- RF Transmission Output Power of +20dBm
- Self-healing 2.4GHz SNAP Mesh Networking
- Seamless SimplySNAP Integration
- Secure AES128 Encryption
- Secure, over-the-air software upgrades
- Bypass switch for maintenance



Ordering PN: IIOT-CONTROL24-KIT

Dimensions Power Supply	4.0"L x 2.8"W x 1.6"H (102 x 70 x 42 mm)
Dimensions Relay	4.0"L x 2.1"W x 1.8"H (102 x 52 x 45 mm)
Dimensions Controller	3.1"L x 2.2"W x .6"H (79.2 x 56.1 x 13.9 mm)
Input Power	24VAC ±10%, 50/60 Hz
Max Current Draw	21.6 W at 24 VAC or 900 mA
Environment	-30C to +60C, 10 to 90% RH, non-condensing
Electrical	Line and Neutral IN, Common and Load OUT
Certifications	c(UL)us, FCC
Radio	2.4GHz, IEEE 802.15.4