

Control 120

120VAC SimplySNAP Wireless HVAC/MAU Control Retrofit Kit

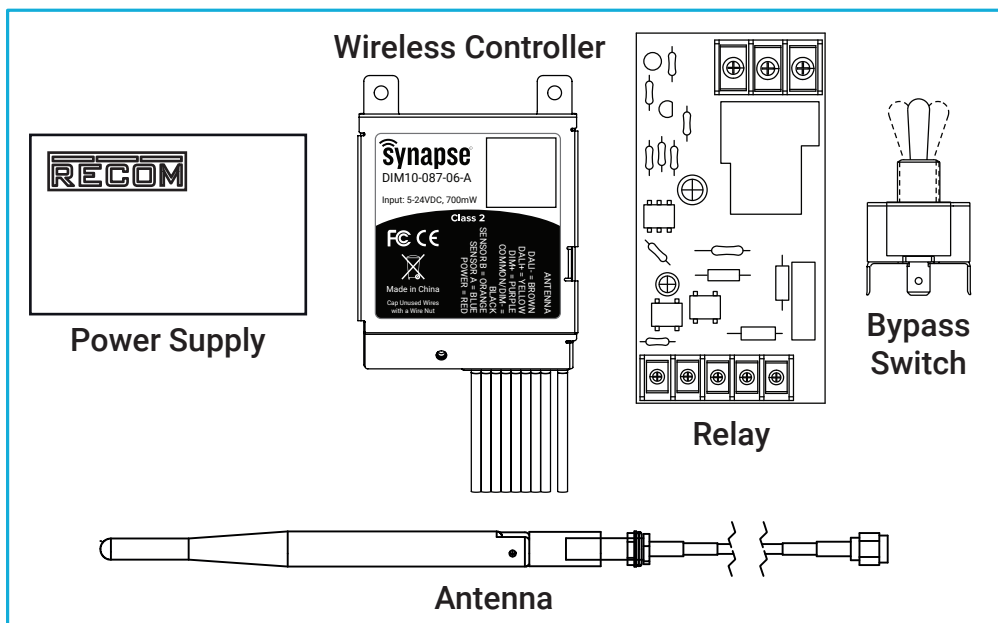
Overview

The Control 120 provides wireless controls for HVAC and MAU equipment. It is powered by the 120VAC output of the MAU and switches the 120VAC control. The Control 120 provides all of the zoning, scheduling, scenes and sensor control capabilities available in SimplySNAP for MAU applications.

See Installation Guide for More Details

Features

- Modular design
- Powered by existing HVAC/MAU power
- Range of 1000 feet, line of sight
- RF Transmission Output Power of +20dBm
- Self-healing 2.4GHz SNAP Mesh Networking
- Seamless SimplySNAP Integration
- Secure AES128 Encryption
- Secure, over-the-air software upgrades
- Bypass switch for maintenance



Ordering PN: IIOT-CONTROL120-KIT

Dimensions Power Supply	1.3"L x .85"W x .69"H (33.02 x 21.59 x 17.52)
Dimensions Relay	4.0"L x 2.1"W x 1.8"H (102 x 52 x 45 mm)
Dimensions Controller	3.1"L x 2.2"W x .6"H (79.2 x 56.1 x 13.9 mm)
Input Power	120VAC ±10%, 50/60 Hz
Max Current Draw	6.6 W at 120 VAC or 55 mA
Switched Output	12-120VAC depending on input
Environment	-30C to +60C, 10 to 90% RH, non-condensing
Certifications	c(UL)us, FCC
Radio	2.4GHz, IEEE 802.15.4