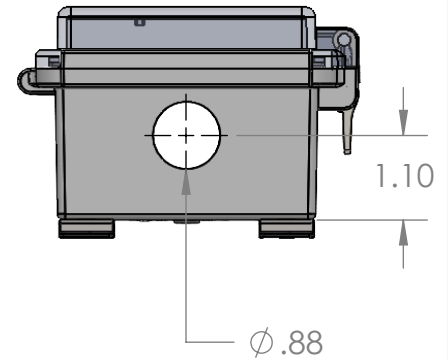
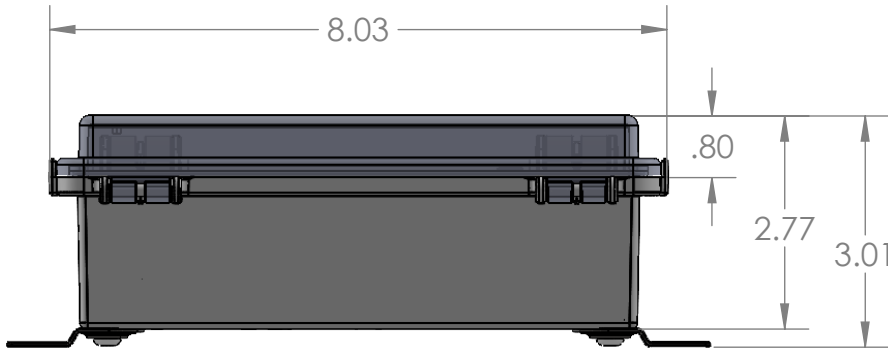
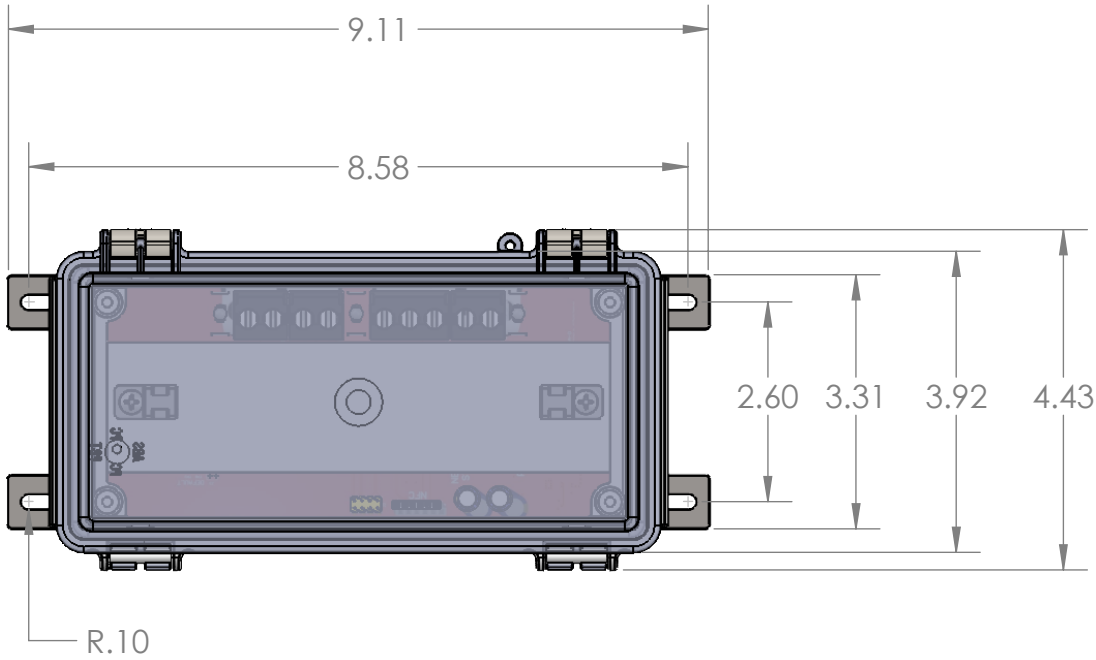


2

1

REVISIONS				
ZONE	REV.	DESCRIPTION	DATE	APPROVED
	A	CREATE	12/8/2020	PF



NOTES:  
 1. FOR REFERENCE ONLY. THE USER OF THIS DOCUMENT ASSUMES ALL RESPONSIBILITY FOR VERIFYING THE INFORMATION PROVIDED HEREIN.

**PROPRIETARY AND CONFIDENTIAL**  
 THE INFORMATION CONTAINED IN THIS DRAWING IS THE SOLE PROPERTY OF <COMPANY NAME>. ANY REPRODUCTION IN PART OR AS A WHOLE WITHOUT THE WRITTEN PERMISSION OF <COMPANY NAME> IS PROHIBITED.

		DIMENSIONS ARE IN INCHES TOLERANCES: FRACTIONAL ± ANGULAR: MACH ± BEND ± TWO PLACE DECIMAL ± THREE PLACE DECIMAL ±	NAME	DATE
			DRAWN	
			CHECKED	
			ENG APPR.	
			MFG APPR.	
			Q.A.	
			COMMENTS:	
NEXT ASSY	USED ON	MATERIAL		
		FINISH		
APPLICATION		DO NOT SCALE DRAWING		

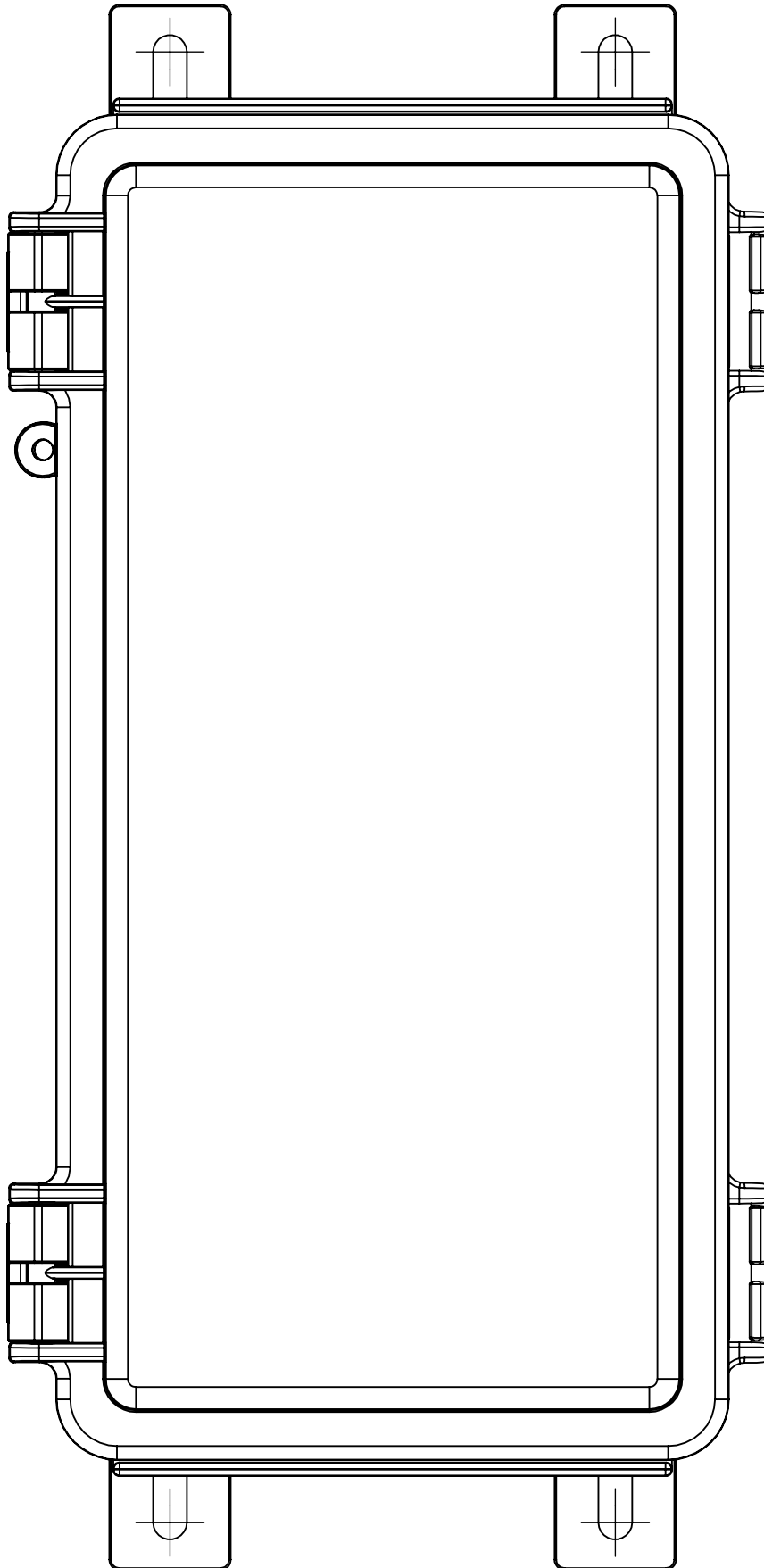
SYNAPSE WIRELESS INC. 6723 ODYSSEY DR HUNTSVILLE, AL 35806		
MECH DATASHEET, CONTROL-485		
SIZE <b>A</b>	DWG. NO. DOC-1000574	REV. A-0
SCALE:1:4	WEIGHT:	SHEET 1 OF 2

2

1

2

1



B

B

A

A

1:1 MOUNTING  
TEMPLATE

DWG. NO.	DOC-1000574	REV.	A-0
SCALE:1:4	WEIGHT:	SHEET 2 OF 2	

2

1