

Failure to follow these instructions could cause damage to the equipment and voids the warranty.

WARNING AND CAUTIONS:

- **TO AVOID FIRE, SHOCK, OR DEATH; TURN OFF POWER** AT CIRCUIT BREAKER OR FUSE AND TEST THAT POWER IS OFF BEFORE INSTALLATION!
- **Risk of Electric Shock** - More than one disconnect switch may be required to de-energize the equipment before servicing.
- To be installed and/or used in accordance with appropriate NEC, local electrical codes, and regulations.
- If you are unsure about any part of these instructions, consult an electrician; all work should be performed by qualified personnel.

WARNING AND CAUTIONS MULTI PHASE POWER:

- On Multi-phase circuits, the DIM10-220 only switches one leg of power. Even though the light is not on, the 2nd phase that lands on the neutral wire is hot.
- If the LEDs of a luminaire have a slight glow when SimplySNAP instructs the DIM10-220 to turn off the power, the other phase is still hot. The LED glow is caused by voltage potential created by the LED driver and the LED array. This is not a function of the control device. This is an isolation issue with the LED circuit.

INSTALLATION GUIDE

SPECIFICATIONS:

- Dimensions: 6.1" L x 2.1" W X 1.6" H
- Mounting: 1/2" Conduit Knock Out, in Luminaire or Pole Hanging Kit
- Input Power: 120 - 277VAC, 50/60 Hz : Phase to Phase power is supported, the controller only switches one phase.
- Load Rating: 5A@ 120 - 277VAC (+/- 10%)
- Surge Rating: 6kV
- Operating Temperature: -40 to +70 C
- IP Rating: IP65
- Dimming Control: 0-10VDC, 30 mA, Class 1/2
- Wiring: 15" wires attached (+/- 1")
- Radio: 2.4 GHz (IEEE 802.15.4), +20 dBm Transmit Power, -103 Receive Sensitivity
- Sensor Input: 0-24V
- Sensor Power Supply: 24VDC @ 20mA
- Power Monitoring: 2% accuracy, Compliant with ANSI C136.52
- Power Readings: Watts, Voltage
- Certifications: c(UL)us, FCC/IC, RoHS
- Warranty: 5 Years. See www.synapsewireless.com/warranty for warranty terms.
- Default State – Switched "LOAD" 100% energized

Controller Part Numbers:

- DIM10-220-F (with internal antenna)
- DIM10-220 (with external antenna cable and Female RPSMA bulkhead connector, antenna not included).

Included Hardware:

- DIM10-220-F (with internal antenna) includes main controller with attached wires and metal locknut for securing unit to a standard 1/2" knockout
- DIM10-220 (with external antenna) includes main controller with attached wires, antenna cable with bulkhead, dust cap, and mounting bracket.

Required Materials (Not included):

- If installing the DIM10-220, you will require a 50 OHM Terminator Plug for proper installation. Amphenol P/N 132360RP
- Wiring Connectors: All existing wiring connectors must be replaced with new UL listed wiring connectors. All wiring connectors must be correctly sized for the application and the number and the size of the electrical conductors.
- If installing a DIM10-220, you will require an external antenna. See TABLE 1 below for ordering information.

TABLE 1. ANTENNA OPTIONS

Part #	Description
ANT-ORB-1.5-1	Outdoor Fixed Right Angle Antenna, 1.5 dBi gain
ANT-OSB-1.5-1	Outdoor Straight Antenna, 1.5 dBi gain
ANT-ORS-5.1	Stubby Antenna, Outdoor Right Angle
ANT-OSS-5.1	Stubby Antenna, Outdoor Straight

INSTALLATION INSTRUCTIONS

WARNING: TO AVOID FIRE, SHOCK, OR DEATH: TURN OFF POWER AT CIRCUIT BREAKER OR FUSE AND VERIFY THAT POWER IS OFF BEFORE WIRING!

DIM10-220-F (Hardware with internal antenna) Bolt-on Installation

WARNING- For best RF performance and signal strength, do not mount this device inside a luminaire. Final installed controller should also be mounted with open space on 2 or more sides.

1. Remove the metal locknut from controller unit.
2. Feed the wires through a standard 1/2" knockout on a luminaire or junction box.
3. Line up the controller with the 1/2" knockout and make sure the 1/2" NPT nipple is inserted completely.
4. Place the metal lock nut over the wires. Thread the lock nut on the 1/2" NPT nipple of the controller.
5. Complete the wiring according to the wiring instructions and wiring diagram included in this guide on page 3.

DIM10-220 (Hardware with external antenna) Installation Option

There are two installation options for the DIM10-220.

- **Option A** - Inside a luminaire
- **Option B** - Inside a Light Pole

Note: Both options will require external antenna installation.

Option A: Installation- Inside a Luminaire

Note: When handling the bulkhead connector, be careful not to touch the center pint to prevent static damage to the radio.

1. **When removing the DIM-220 from the box, attach the 50 OHM Terminator to the RP-SMA female bulkhead connector on the antenna cable.** This component will protect the RF circuitry from static damage.
2. Locate a suitable location inside the luminaire to mount the controller using the included bracket. Be sure to choose an interior surface and location that will not puncture the outer structure of the luminaire. Also keep in mind where the antenna will need to be installed.
3. Find a suitable location for the antenna and drill a 1/4" hole for the antenna cable bulkhead.
4. Temporarily remove the 50 Ohm terminator. Remove the star washer and nut from the bulkhead. Insert the antenna cable bulkhead through the 1/4" hole. **Be careful not to touch the center pin to prevent static damage to the radio.** Install the star washer and nut provided. Hand tighten the nut plus an additional 1/4 turn. Attach the 50 Ohm terminator shown in Figure 1. This component will protect the RF circuitry from static damage.
5. Complete the wiring according to the wiring instructions and wiring diagram included in the next section of this guide.
6. When it is time to attach the antenna, touch a grounded surface, remove the 50 Ohm terminator and screw on the antenna hand tight. Tighten a 1/4 turn with a pair of needle nose pliers. Do not overtighten or the RF pin in the bulkhead will crack, creating poor RF link quality.
7. Orient antenna direction pointing straight up or straight down for maximum RF connectivity. See Figure 2.

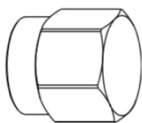


Figure 1
50 Ohm RP-SMA Male Terminator

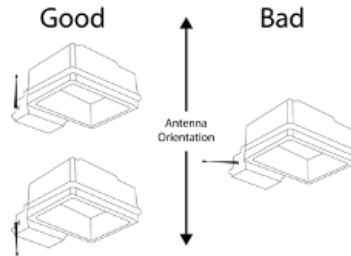


Figure 2

Option B: Installation- Pole Hanging Option

Refer to the Pole Hanging Install Guide that is included with the pole hanging kits. See below for ordering information for hanging kits.

Table 2. Pole Hanging Kits- Sold Separately

Part Number	Description
KIT-HP02-01	1.5 FOOT HANGING KIT, AIRCRAFT CABLE, COAX CABLE, 50 OHM TERMINATOR
KIT-HP10-01	10 FOOT HANGING KIT, AIRCRAFT CABLE, COAX CABLE, 50 OHM TERMINATOR
KIT-HP20-01	20 FOOT HANGING KIT, AIRCRAFT CABLE, COAX CABLE, 50 OHM TERMINATOR
KIT-HP30-02	30 FOOT HANGING KIT, AIRCRAFT CABLE, COAX CABLE, 50 OHM TERMINATOR
KIT-HP40-01	40 FOOT HANGING KIT, AIRCRAFT CABLE, COAX CABLE, 50 OHM TERMINATOR
KIT-HP50-03	50 FOOT HANGING KIT, AIRCRAFT CABLE, COAX CABLE, 50 OHM TERMINATOR

Wiring Instructions and Wiring Diagram

WARNING: TO AVOID FIRE, SHOCK, OR DEATH: TURN OFF POWER AT CIRCUIT BREAKER OR FUSE AND VERIFY THAT POWER IS OFF BEFORE WIRING!

INSTALLATION AC POWER

1. Connect the electrical service black wire (hot) to the black wire (Line) on the DIM10-220.
2. Connect the black wire of the LED driver to the red wire (load) output on the DIM10-220.
3. Connect the electrical service white wire (neutral) to the white wire on the DIM10-220 And the neutral wire of the luminaire.

DIMMING CONTROL

4. Connect the DIM+ wire on the LED driver to the purple wire DIM+ wire on the DIM10-220.
5. Connect the DIM- wire on the LED driver to the gray wire DIM- wire on the DIM10-220.

SENSOR WIRING

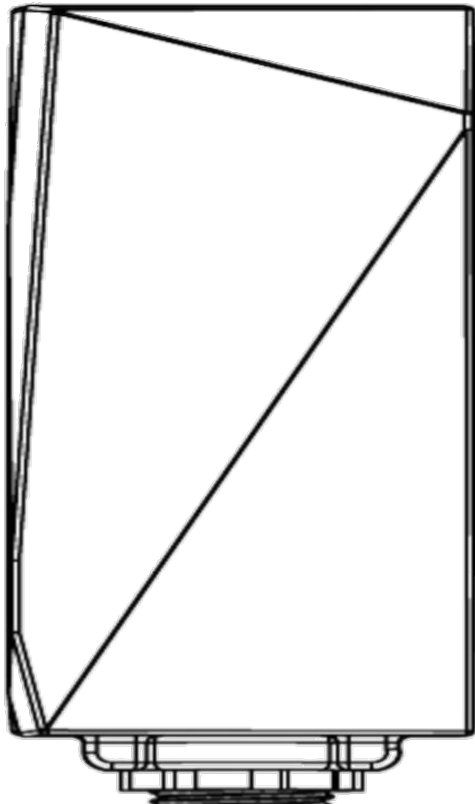
6. Connect the DIM10-220 blue wire sensor input to the sensor control/output connection of the sensor.
7. Connect the DIM10-220 white/blue (common) to the Common (ground) connection on the sensor.
8. Connect the DIM10-220 brown wire (sensor power) to the 24VDC power connection on the sensor.

DIMMING RECOMMENDATIONS

Below are some recommendations for successful dimming using the DIM10-220.

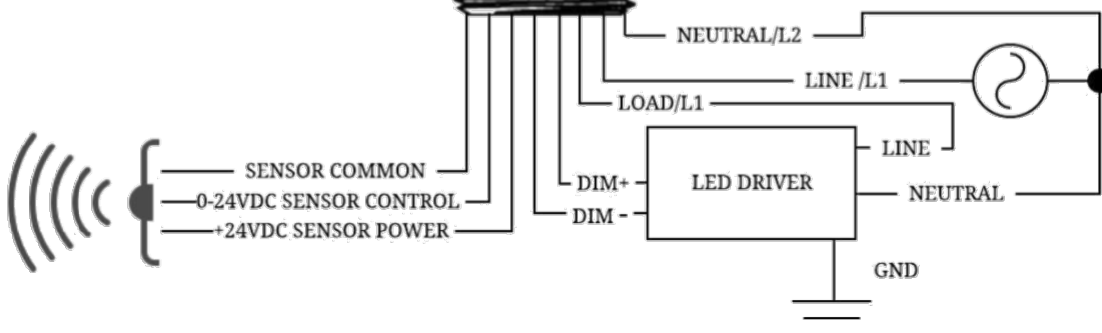
- Use appropriate gauge wire for the application.
- Do not ground the DIM- wire. This is a return signal and is critical for dimming.
- When possible, route dimming wires away from AC lines

Wiring Instructions and Wiring Diagram- (Continued)



FUNCTION	WIRE COLOR	CLASS
LINE / L1	BLACK	CLASS 1
NEUTRAL / L2	WHITE	CLASS 1
LOAD / L1	RED	CLASS 1
DIM +	PURPLE	CLASS 1/2
DIM -	GRAY	CLASS 1/2
+24VDC SENSOR CONTROL	BLUE	CLASS 2
+24VDC SENSOR POWER	BROWN	CLASS 2
SENSOR COMMON	WHITE/BLUE	CLASS 2

Note: External Surge is not provided, but highly recommended 10KV OR higher



Note: The luminaire defaults ON. When power is applied to the luminaire the LEDS should turn on to full brightness. The dim signal should be at 10 VDC and the luminaire power should be full power across the Line to Neutral or Line to Line for 208 and 240VAC.

Phase to Phase power is supported, however the controller only switches one phase.

Refer to the SimplySNAP Resource on the Synapse website for provisioning.

<https://help.synapsewireless.com/>

REGULATORY INFORMATION AND CERTIFICATIONS

RF Exposure Statement: This equipment complies with FCC radiation exposure limits set forth for an uncontrolled environment. This equipment should be installed and operated with minimum distance of 20cm between the radiator and your body. This transmitter must not be co-located or operating in conjunction with any other antenna or transmitter.

Industry Canada (IC) certifications: This digital apparatus does not exceed the Class B limits for radio noise emissions from digital apparatus set out in the Radio Interference Regulations of the Canadian Department of Communications.

Le present appareil numerique n'emet pas de bruits radioelectriques depassant les limites applicable aux appareils numeriques de la class B prescrites dans le Reglement sur le brouillage radioelectrique edicte par le ministere des Communications du Canada.

FCC certifications and regulatory information (USA only)

FCC Part 15 Class B: This device complies with part 15 of the FCC rules. Operation is subject to the following two conditions: (1) These devices may not cause harmful interference, and (2) These devices must accept any interference received, including interference that may cause harmful operation.

RADIO FREQUENCY INTERFERENCE (RFI) (FCC 15.105): This equipment has been tested and found to comply with the limits for a Class B digital device, pursuant to Part 15 of the FCC rules. These limits are designed to provide reasonable protection against harmful interference in a residential installation. This equipment generates, uses, and can radiate radio frequency energy and, if not installed and used in accordance with the instructions, may cause harmful interference to radio communications. However, there is no guarantee that interference will not occur in a particular installation. If this equipment does cause harmful interference to radio or television reception, which can be determined by turning the equipment off and on, the user is encouraged to try to correct the interference by one or more of the following measures: (1) Re-orient or relocate the receiving antenna; (2) Increase the separation between the equipment and the receiver; (3) Connect the equipment into an outlet on a circuit different from that to which the receiver is connected; (4) Consult the dealer or an experienced radio/TV technician for help.

Declaration of Conformity (FCC 96-208 & 95-19): Synapse Wireless, Inc. declares that the product name "DIM10-220" to which this declaration relates, meet the requirements specified by the Federal Communications Commission as detailed in the following specifications:

- Part 15, Subpart B, for Class B equipment
- FCC 96-208 as it applies to Class B personal computers and peripherals
- This product has been tested at an External Test Laboratory certified per FCC rules and has been found to meet the FCC, Part 15, Emission Limits. Documentation is on file and available from Synapse Wireless, Inc.

If the FCC ID for the module inside this product enclosure is not visible when installed inside another device, then the outside of the device into which this product is installed must also display a label referring to the enclosed module FCC ID. Modifications (FCC 15.21): Changes or modifications to this equipment not expressly approved by Synapse Wireless, Inc., may void the user's authority to operate this equipment.

CERTIFICATIONS

Model: DIM10-220 with any Suffix.

Contains FCC ID: U90-SM220

Contains IC: 7084A-SM220

UL File No: E513705

Contact Synapse for Support (877) 982-7888