



Includes Photocell, Power Monitoring, and External Sensor Input

Product #	Description
TL7-B2	Low Voltage Twist-lock Wireless Lighting Control with Built in Photocell

Dimensions	3.5" W x 3.86" H (88.6 mm W x 98 mm H)
Input Power¹	110-277VAC +/- 10% (Max 305V), 60Hz
Operating Environment	-40°C to +70°C; 0% to 90% RH non-condensing; IP66
Switched Output	Default ON
Load Rating	5A @ 110-277VAC (+/- 10%)
Surge Rating	6kV
Dimming Control	1-10V
Dimming Output	1-10V, 20mA
Radio	SNAP 2.4GHz; 802.15.4 +20dBm Transmit power -104dBm Receive Sensitivity
Sensor Input	24VDC
Sensor Power	24V, 20mA
Power Monitoring	Utility Grade - 2% Accuracy
Power Readings	Voltage, Watts
Certifications	FCC, IC, cULus, DLC
Warranty²	5 Years

Footnotes:

1. Phase to Phase power is supported, however the controller only switches one phase.

2. See www.synapsewireless.com/warranty for warranty terms

Specification Data

Job Name	
Type	
Catalog #	
Comments	

Product Overview

The **TL7-B2** is an intelligent wireless lighting controller with exceptional fault tolerance and a multitude of features. Each TL7-B2 provides intelligent On/Off switching, dimming, highly accurate power metering, digital sensor input, and status monitoring of lighting fixtures.

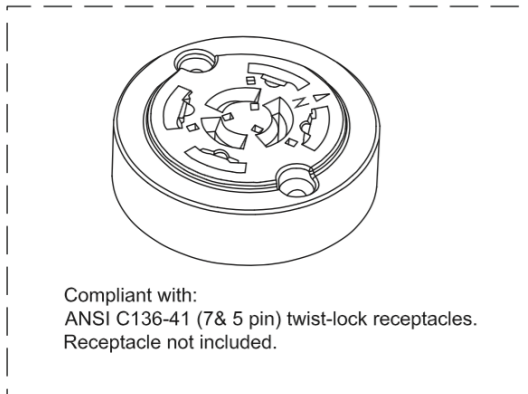
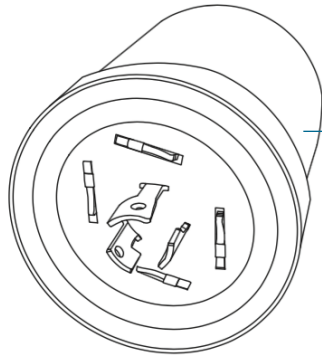
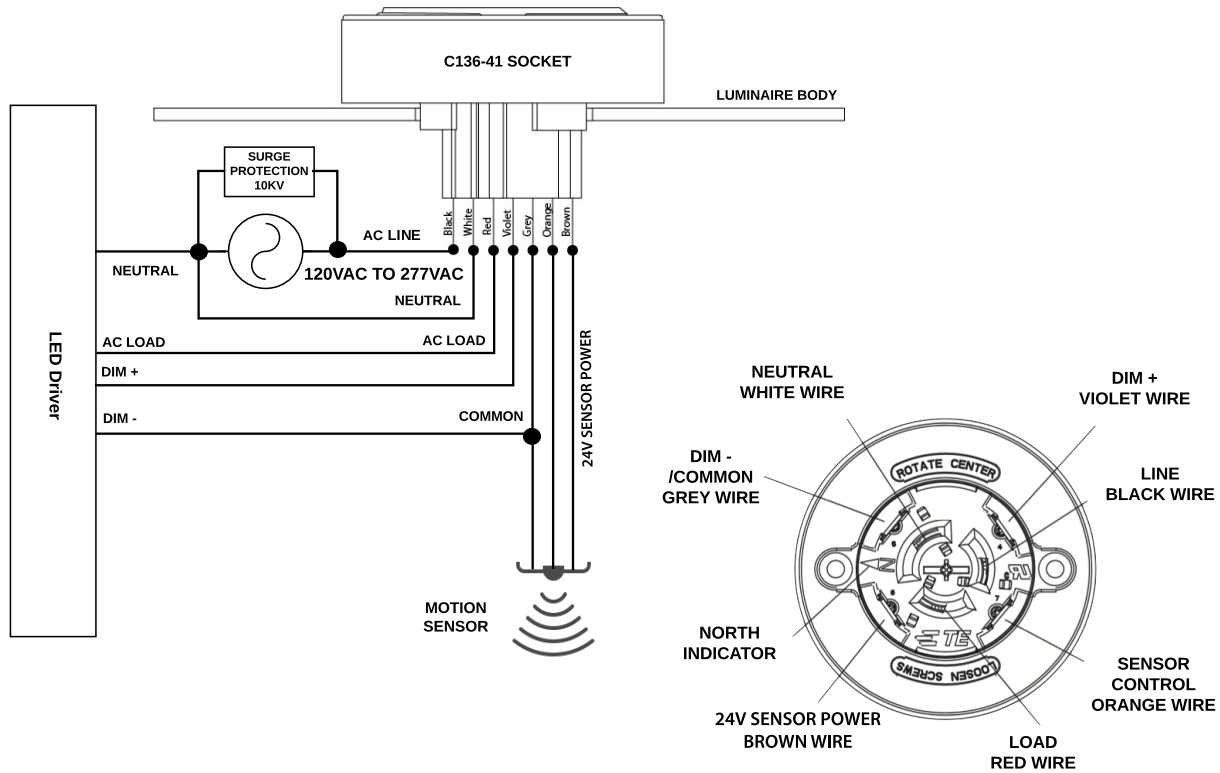
Key Features:

- Integrated Photocell
- NEMA/ANSI C136.41 7-pin Dimming Receptacle Support
- Utility grade power monitoring
- Remote control and scheduling
- Flexible Dimming Controls
- Secure, over-the-air upgrades to support future enhancements
- Seamless integration into the SimplySNAP lighting control system
- 24V DC Power for Motion Sensors



To learn more, call or visit:
synapsewireless.com
 (877) 982-7888

TL7-B2 Wiring Diagrams



LED Color	Status
Blue	Not yet added to SimplySNAP
Green	Normal Operation
Red	Communication Lost