



# BMS Gateway

## Combine a Building Management System with SimplySNAP

Specification Data	
Job Name	
Type	
Catalog #	
Comments	

## Product Overview

The **BMS Gateway** serves as the bridge between SimplySNAP Intelligent Lighting Solution and Building Management Systems (BMS).

With the BMS Gateway, you can integrate the advanced lighting controls of SimplySNAP with your current BMS solution. The integration makes it simpler to manage and maintain all of your facility's commercial or industrial automated applications through one system.

Combining smart lighting controls with existing BMS boosts energy savings by providing targeted and reliable power consumption data.

Like the BMS, SimplySNAP is scalable, and can readily support future growth and expansion.

## Features

- Allows SimplySNAP deployment to be controlled by standard BMS solutions
- Supports BACnet IP and BACnet MS/TP
- Supports Modbus TCP/IP and Modbus RTU (RS-232, RS-485)



Combining the Power of SimplySNAP with BMS Solutions

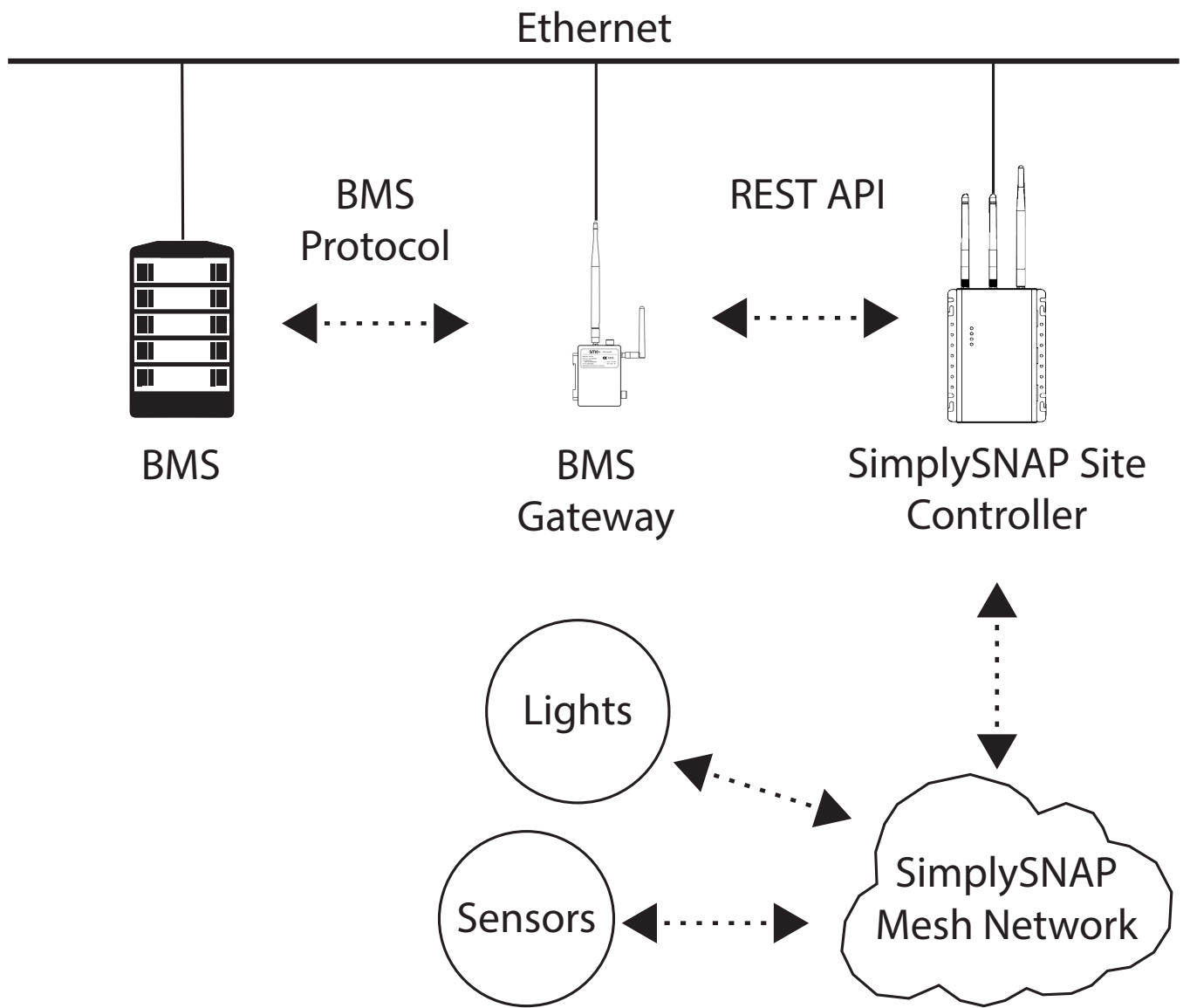
Product #	Description
BMS-GW	BMS Gateway

<b>Dimensions</b>	4.0" H x 2.7" W x 1.1" D (102 mm H x 68 mm W x 28mm D)
<b>Operating Environment</b>	-20°C to +70°C; 10-95% relative humidity, non-condensing; indoor use only
<b>Electrical Connections</b>	<ul style="list-style-type: none"> <li>• 3-pin Phoenix connector with: RS-485 (Tx+ / Rx- / gnd)</li> <li>• 3-pin Phoenix connector with: Power port (+ / - / Frame-gnd)</li> <li>• Ethernet 10/100 BaseT port</li> </ul>
<b>Input Power</b>	12-24V DC
<b>Certifications</b>	FCC, CE, BTL
<b>Warranty*</b>	2 Years

\*See [www.synapsewireless.com/warranty](http://www.synapsewireless.com/warranty) for warranty terms



To learn more, call or visit:  
[synapsewireless.com](http://synapsewireless.com)  
 (877) 982-7888



Example Setup of a BMS/SimplySNAP Integration