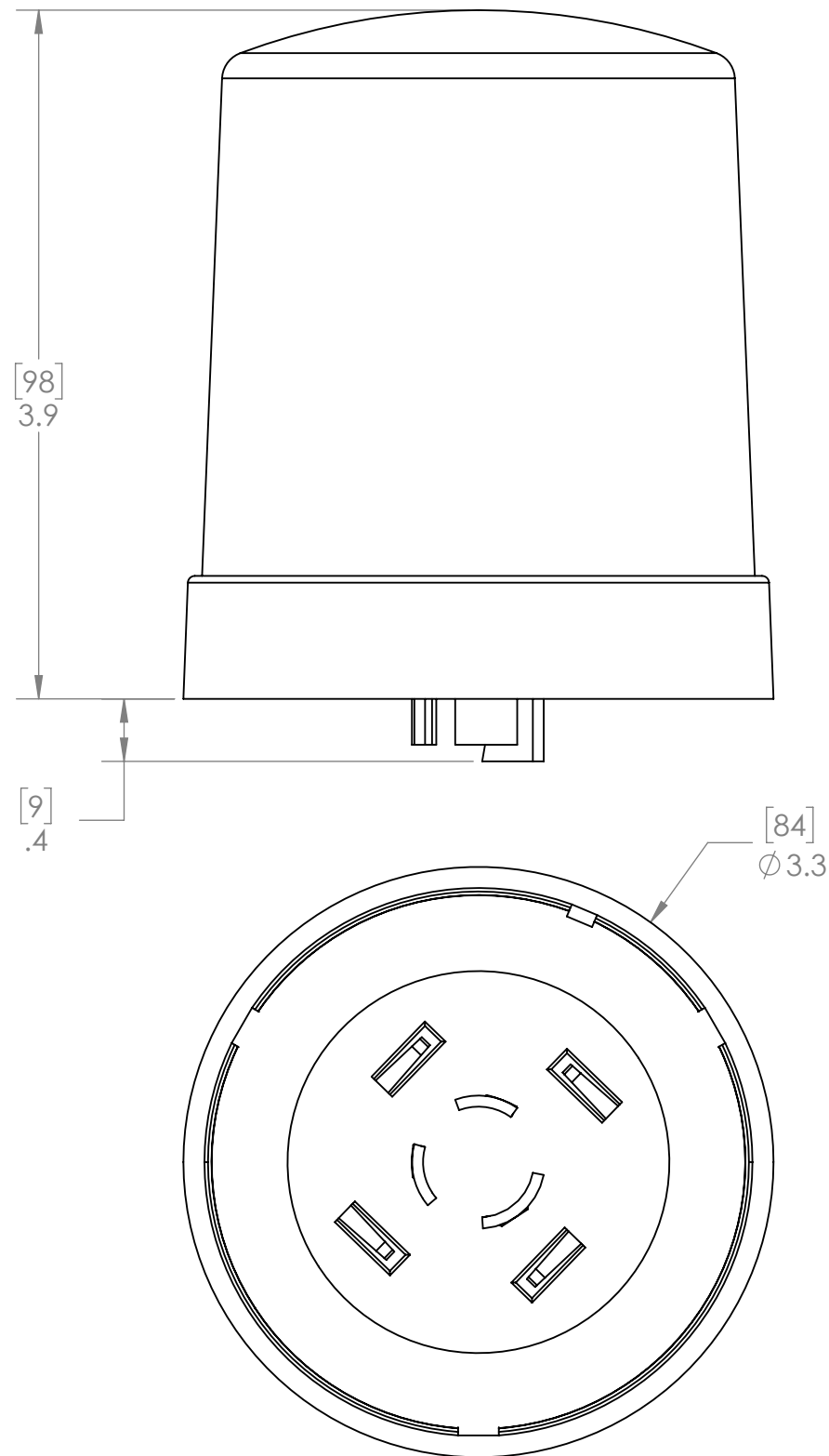


- NOTES:
 1. FOR REFERENCE ONLY. THE USER OF THIS DOCUMENT ASSUMES ALL RESPONSIBILITY FOR VERIFYING THE INFORMATION PROVIDED HEREIN.
 2. WEIGHT: ~215 GRAMS.
 3. THIS PRODUCT DESIGNED FOR USE WITH NEMA/ANSI C136.41 COMPLIANT DIMMING RECEPTACLES.

REVISIONS				
ZONE	REV.	CHANGE DESCRIPTION	APPROVED	DATE
ALL	A-0	INITIAL RELEASE	EMJ	7/27/20



THIRD ANGLE PROJECTION UNLESS OTHERWISE SPECIFIED: DIMENSIONS ARE IN INCHES [MM] TOLERANCES: ANGULAR: MACH ±1° BEND ±3° TWO PLACE DECIMAL ±.01 THREE PLACE DECIMAL ±.005	COMMENTS: INTERPRET GEOMETRIC TOLERANCING PER: ANSI	 SYNAPSE WIRELESS INC. 6723 ODYSSEY DR HUNTSVILLE, AL 35806 TITLE: MECHANICAL DATASHEET, TL7-HV/TL7-HVG
	MATERIAL FINISH DO NOT SCALE DRAWING	
PROPRIETARY AND CONFIDENTIAL THE INFORMATION CONTAINED IN THIS DRAWING IS THE SOLE PROPERTY OF SYNAPSE WIRELESS, INC. ANY REPRODUCTION IN PART OR AS A WHOLE WITHOUT THE WRITTEN PERMISSION OF SYNAPSE WIRELESS, INC IS PROHIBITED.		ENGR: EMJ SHEET 1 OF 1