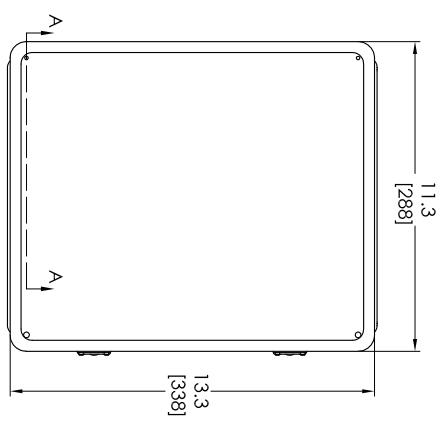
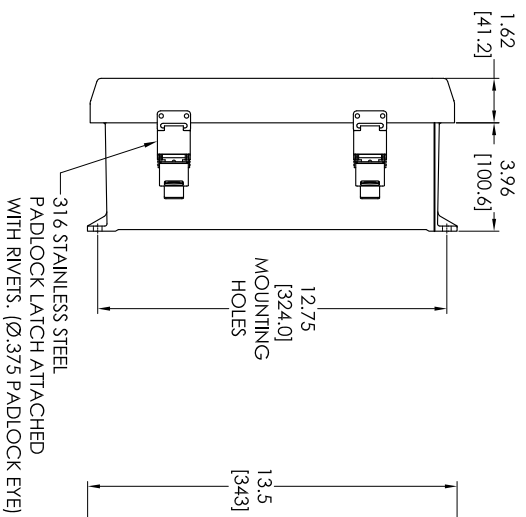


REVISIONS				
ZONE	REV.	CHANGE DESCRIPTION	APPROVED	DATE

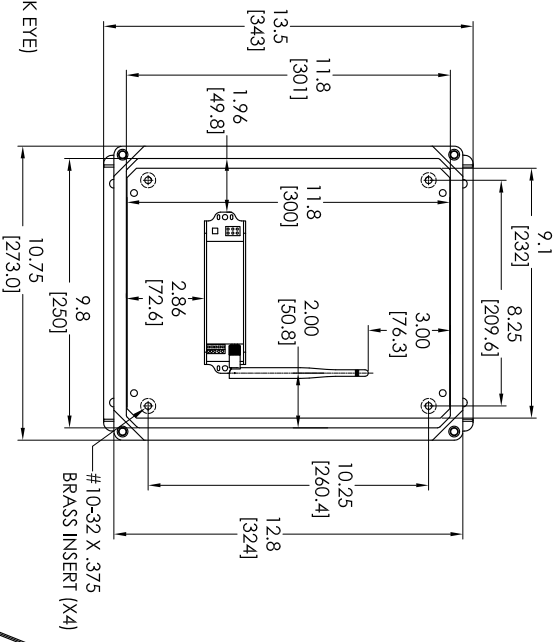
FRONT VIEW



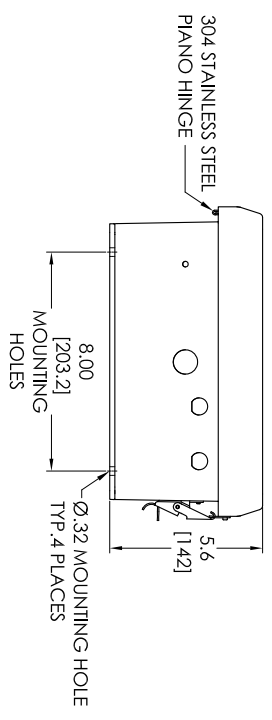
RIGHT SIDE VIEW



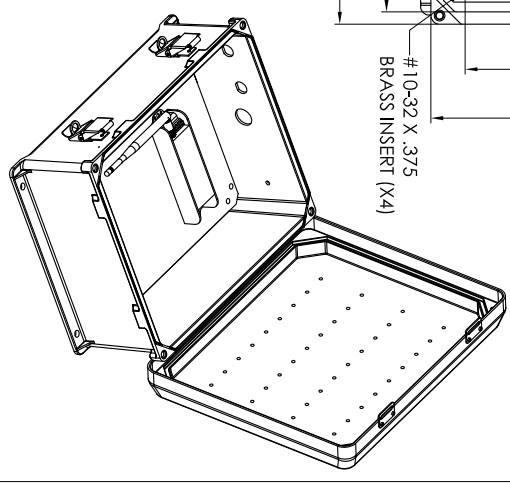
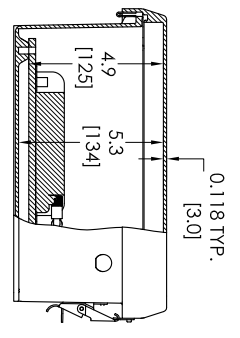
FRONT VIEW - COVER REMOVED



END VIEW



SECTION A-A



Part Number : GLP-ENC-EXTDIM10-003

- Rugged, Molded, fiberglass reinforced polyester enclosure
- Stainless steel quick release latches with padlock hasps for locking
- Fully gasketed raised lid
- Integral mounting flange
- NEMA type 4, 4X / IP66 rated
- RoHS Compliant
- Included Non Metallic plate with mounting Screws
- DIM10-250-11 mounts with Antenna on Back Plate
- Only Penetrations required are for Wire Entry and Exit
- Room for panel connectors, wiring and a circuit breaker

<p>THIRD ANGLE PROJECTION</p>		<p>UNLESS OTHERWISE SPECIFIED: DIMENSIONS ARE IN INCHES (MM)</p> <p>TOLERANCES: ANGULAR: MACH ± 1° BEND ± 3° TWO PLACE DECIMAL ± .01 THREE PLACE DECIMAL ± .005</p>	
<p>PROPRIETARY AND CONFIDENTIAL THE INFORMATION CONTAINED IN THIS DRAWING IS THE SOLE PROPERTY OF SYNAPSE WIRELESS, INC. ANY REPRODUCTION IN PART OR AS A WHOLE WITHOUT THE WRITTEN PERMISSION OF SYNAPSE WIRELESS, INC IS PROHIBITED.</p>		<p>COMMENTS:</p> <p>INTERPRET GEOMETRIC TOLERANCING PER: ANSI</p>	
<p>MATERIAL</p>		<p>FINISH</p>	
<p>DO NOT SCALE DRAWING</p>		<p>SIZE DWG. NO. REV</p>	
<p>A</p>		<p>TBD</p>	
<p>ENGR: PRAVEEN DONALS</p>		<p>SHEET 1 OF 1</p>	

synapse SYNAPSE WIRELESS INC.
6723 ODYSSEY DR HUNTSVILLE, AL 35896

TITLE: Outdoor enclosure for
DIM10-series controllers,
12" x 10" x 5" with hinged door +
Locking Hasp