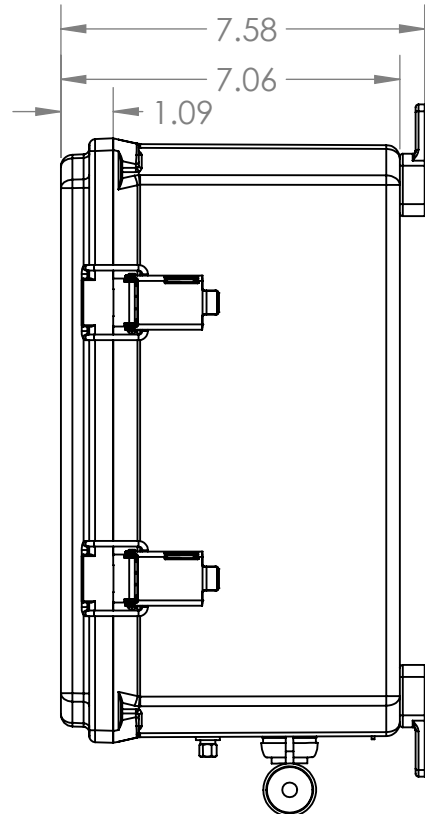
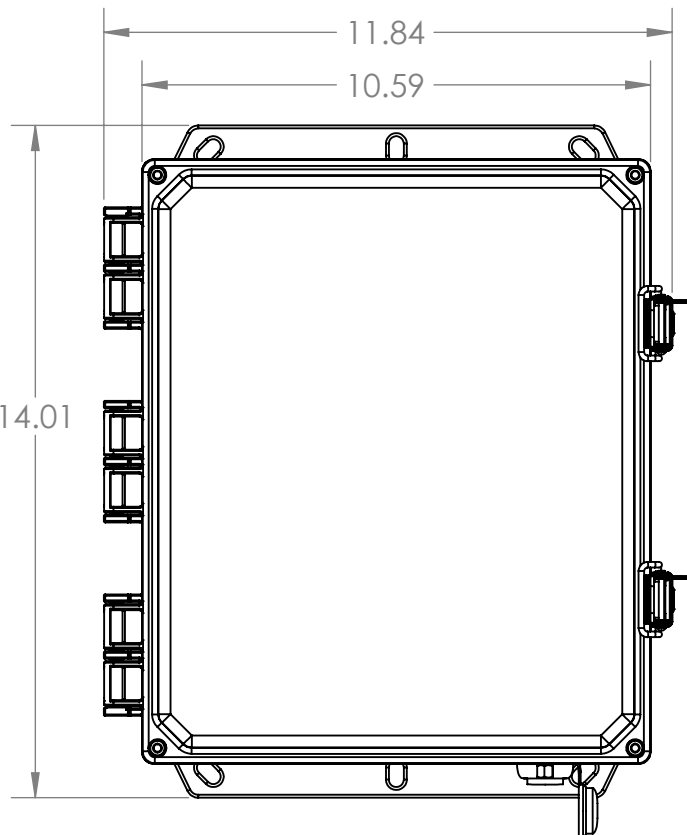
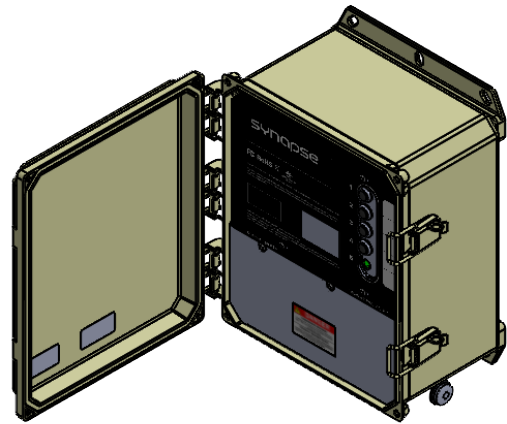


2

1

REV.	DESCRIPTION	DATE	APPROVED
A	INITIAL RELEASE	4/26/2021	PF



**NOTES:**  
 1. FOR REFERENCE ONLY. THE USER OF THIS DOCUMENT ASSUMES ALL RESPONSIBILITY FOR VERIFYING THE INFORMATION PROVIDED HEREIN.

**PROPRIETARY AND CONFIDENTIAL**  
 THE INFORMATION CONTAINED IN THIS DRAWING IS THE SOLE PROPERTY OF <COMPANY NAME>. ANY REPRODUCTION IN PART OR AS A WHOLE WITHOUT THE WRITTEN PERMISSION OF <COMPANY NAME> IS PROHIBITED.

		DIMENSIONS ARE IN INCHES TOLERANCES: FRACTIONAL ± ANGULAR: MACH ± BEND ± TWO PLACE DECIMAL ± THREE PLACE DECIMAL ±		NAME	DATE
		MATERIAL		DRAWN	
		FINISH		CHECKED	
NEXT ASSY	USED ON			ENG APPR.	
APPLICATION		DO NOT SCALE DRAWING		MFG APPR.	
				Q.A.	
				COMMENTS:	

**SYNAPSE**

**MECHANICAL DATASHEET**  
**CBSSW-450-02**

SIZE <b>A</b>	DWG. NO.	REV. <b>A</b>
SCALE: 1:8	WEIGHT:	SHEET 1 OF 1

2

1