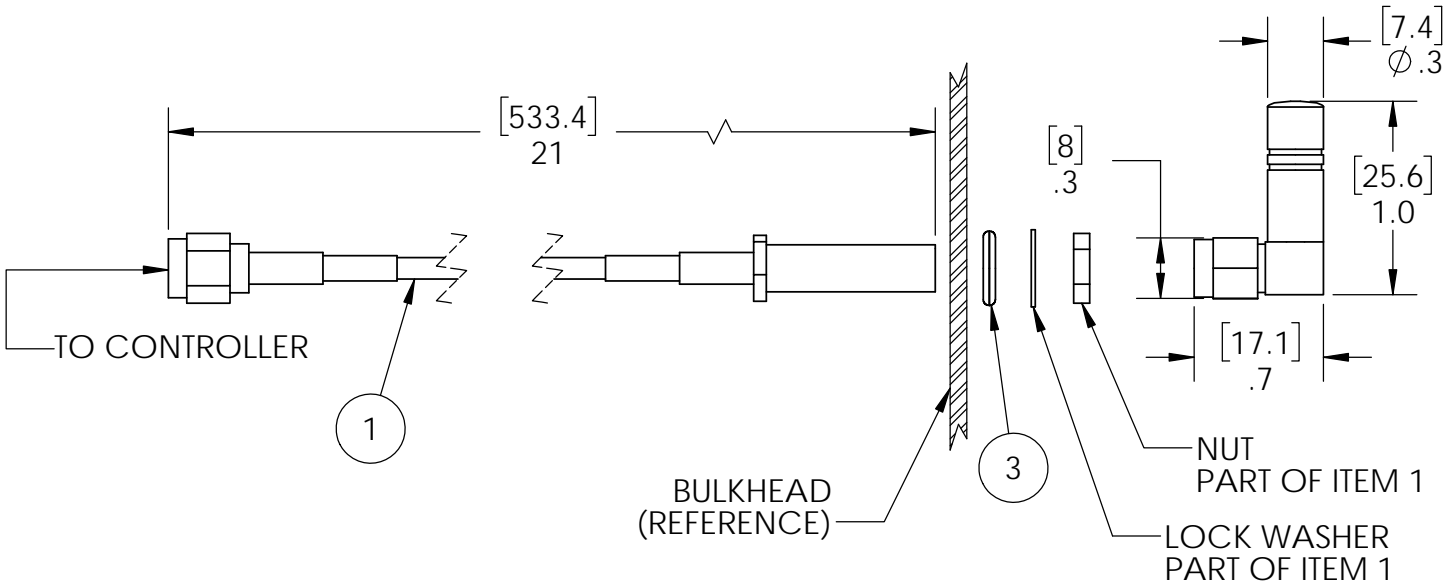
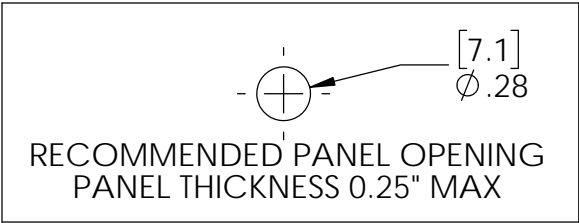


REVISIONS

ZONE	REV.	CHANGE DESCRIPTION	APPROVED	DATE
ALL	A000	CREATE	EMJ	12/2/16

ITEM	PN	DESCRIPTION	QTY.
1	326046-01A	CABLE,RP-SMA MALE TO RP-SMA FEMALE, 21-IN	1
2	ANT026	ANTENNA, 2.4GHZ, OUTDOOR, RIGHT ANGLE, STUBBY, RP-SMA MALE, -5dBi	1
3	CON369	CONN O-RING FOR SMA CONNECTORS	1



<p>THIRD ANGLE PROJECTION</p> <p>UNLESS OTHERWISE SPECIFIED: DIMENSIONS ARE IN INCHES [MM] TOLERANCES: ANGULAR: MACH <math>\pm 1^\circ</math> BEND <math>\pm 3^\circ</math> TWO PLACE DECIMAL <math>\pm .01</math> THREE PLACE DECIMAL <math>\pm .005</math></p>	COMMENTS:	SYNAPSE WIRELESS INC. 6723 ODYSSEY DR HUNTSVILLE, AL 35806		
	<p>PROPRIETARY AND CONFIDENTIAL THE INFORMATION CONTAINED IN THIS DRAWING IS THE SOLE PROPERTY OF SYNAPSE WIRELESS, INC. ANY REPRODUCTION IN PART OR AS A WHOLE WITHOUT THE WRITTEN PERMISSION OF SYNAPSE WIRELESS, INC IS PROHIBITED.</p>	<p>INTERPRET GEOMETRIC TOLERANCING PER: ANSI</p> <p>MATERIAL</p> <p>FINISH</p> <p>DO NOT SCALE DRAWING</p>	<p>TITLE: <b>OUTDOOR KIT, RIGHT ANGLE STUBBY ANTENNA, GLP-KIT-ANT18-04</b></p>	
		SIZE	DWG. NO.	REV
		<b>A</b>	120-035121-000	A000
ENGR: EMJ			SHEET 1 OF 1	