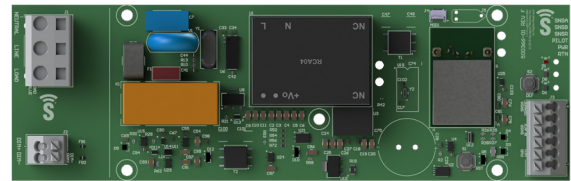




DIM10-281-21

Wireless Lighting Controller



Specification Data	
Job Name	
Type	
Catalog #	
Comments	

Product Overview

The **DIM10-281-21** is a California Title 24 compliant lighting controller that provides real-time light monitoring and control with utility-grade power monitoring. It includes two 24V sensor inputs and a sensor power supply to connect sensors into the SimplySNAP wireless lighting solution.

Features

- Utility Grade Power Monitoring
- Up to 80% Savings through smart dimming
- True On/Off functionality via internal switched relay
- Auxiliary output for optional external relay
- Self-healing SNAP Mesh Networking
- Easily integrates with the SimplySNAP lighting control solution
- Internal relay closes on power loss
- Supports a wide range of LED drivers and fixtures
- Class 1 / Class 2 0-10V Dimming Control
- Direct Connect to 24V Occupancy Sensors and Photocells (consult sales for compatible list)
- Secure, over-the-air upgrades to support future enhancements
- Excellent RF Range — 1 mile LoS between controllers
- Lights default to on for safety



Power Monitoring and Off-the-Shelf Sensor Integration

Order #	Description
DIM10-281-21	Wireless Lighting Controller with Power Monitoring and Sensor Input
Dimensions	6.7" L x 2.1" W x 0.7" H (170mm x 54mm x 18mm)
Input Power*	100 to 277 VAC +/- 10% (Max 305V) 47/64 Hz
Operating Environment	-40°C to +70°C
Switched Output	Default ON; Zero Crossing Switching
Auxiliary Output	Switch closure, 40mA max, sink only
Load Rating*	5A @ 100V to 277V (+/- 10%)
Dimming Control	0-10V
Dimming Output	Class 1/2 - 20mA Source Max / 50mA Sink Max
Radio	SNAP 2.4GHz ; 802.15.4 +20 dBm Transmit Power -103 dBm Receive Sensitivity
Power Monitoring	Utility Grade - 2% Accuracy
Power Readings	Voltage, Watts
Sensor Inputs	0 - 10V (photocell sensors) 0 - 24V (all other sensors)
Sensor Power Supply	24VDC @ 50mA
Certifications	c(UL)us, FCC, IC, CE
Warranty	5 Years

*Single phase power supported
Note: 208V dual phase power is also supported, however the controller only switches one leg of this circuit. Please verify with an installer that this will not impact the design at the system level.

To learn more, call or visit:
synapsewireless.com
(877) 982-7888

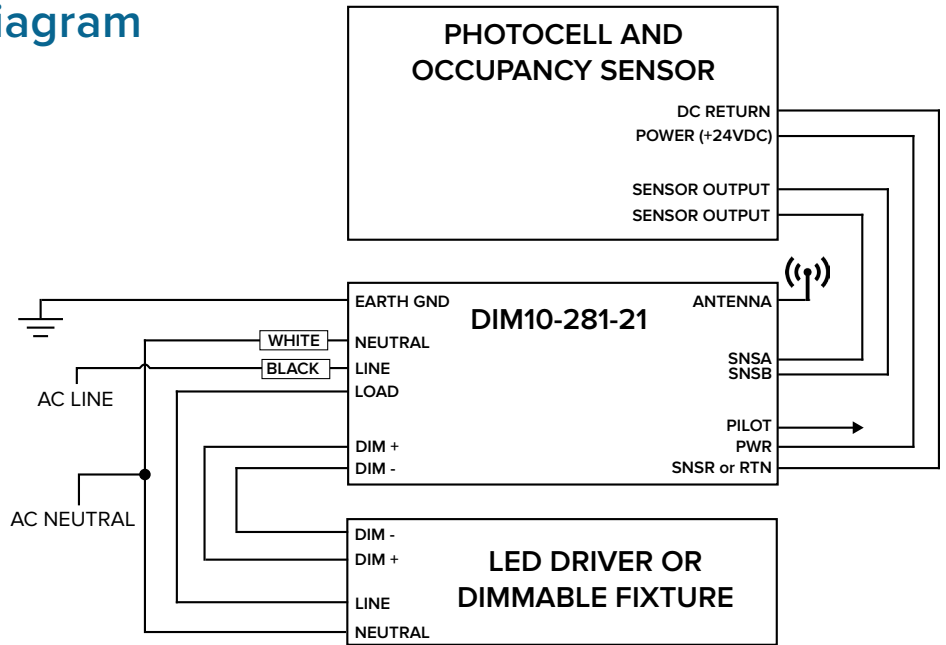
DIM10-281-21 Wiring Diagram

Class 1 Terminal Block (accepts 12-28 AWG wires)	
Neutral	AC Return
Line*	100-277 VAC (+/- 10%)
Load	Switched AC Load

*Single phase power supported
 Note: 208V dual phase power is also supported, however the controller only switches one leg of this circuit. Please verify with an installer that this will not impact the design at the system level.

Class 1/2 Terminal Block (accepts 18-20 AWG wires)	
DIM+	Dim+
DIM-	Dim-

LED Indicators	Power LED: Power On
	Status LED: Relay Status - On/Off



Class 2 Terminal Block (accepts 18-20 AWG wires)	
SNS A	Sensor Input 1
SNS B	Sensor Input 2
SNS R	Sensor DC Return
Pilot	Low Voltage Low Current Output
PWR	Sensor Power Supply
RTN	Sensor Power Supply Return

Lighting Controllers

u.FL RF cable and Antenna Options - optional for DIM10-087-06 model

Part #	Description
KIT-ANTUFL18-01	OUTDOOR ANT,RIGHT ANGLE,U.FL, 18" CBL,14MM BULKHEAD,O-RING
KIT-ANTUFL18-02	OUTDOOR ANT,STRAIGHT,U.FL, 18" CBL,14MM BULKHEAD,O-RING
KIT-ANTUFL18-03	OUTDOOR ANT,RIGHT ANGLE STUB,U.FL, 18" CBL,14MM BULKHEAD,O-RING
KIT-ANTUFL18-04	OUTDOOR ANT,STRAIGHT STUB,U.FL, 18" CBL,14MM BULKHEAD,O-RING

SimplySNAP Site Controllers - required for all SimplySNAP deployments

Part #	Description
SS450	SimplySNAP, WiFi, Verizon LTE, Industrial Metal Enclosure