

Specification Data	
Job Name	
Type	
Catalog #	
Comments	

PRODUCT OVERVIEW

The DIM10-087-06 embedded wireless controller opens an exciting integration path for LED Luminaires. The smaller size and lower cost make this DC-powered wireless controller versatile enough to be embedded in nearly any wattage LED Luminaire.

Pairing the DIM10-087-06 with a SimplySnap Site Controller makes it easy to comply with ASHRAE, Title 24, DLC NLC Indoor/Outdoor, and other energy requirements today and in the future.

KEY FEATURES:

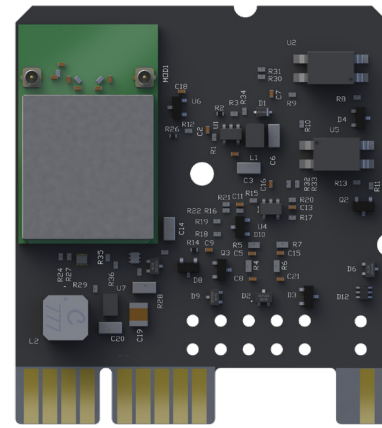
- Seamless SimplySnap Integration
- Simplified DC Design — mates with LED Drivers
- Secure AES128 Encryption
- DLC Certification for both Indoor and Outdoor
- Self-healing 2.4GHz SNAP Mesh Networking
- Secure, over-the-air software upgrades
- 2 Sensor Inputs: DC Motion and 0-10V Photocells

IEC 62386 DALI-2 Certified – D4i

- DALI-2 Certified DATA Bus – Part 101
- DALI-2 /D4i Power Monitoring – Part 252
- D4i – Type D – Single-Master Controller – Part 351
- DALI-2 Linear Dimming, ON/OFF – Part 218
- Compatible with WattStopper DALI-2 FDP-301 Motion and Photocell

DIM to OFF LED Drivers

- 0-10V Dimming, ON/OFF
- No Power Monitoring
- Powered via LED Driver Aux Power



Powered by SimplySnap

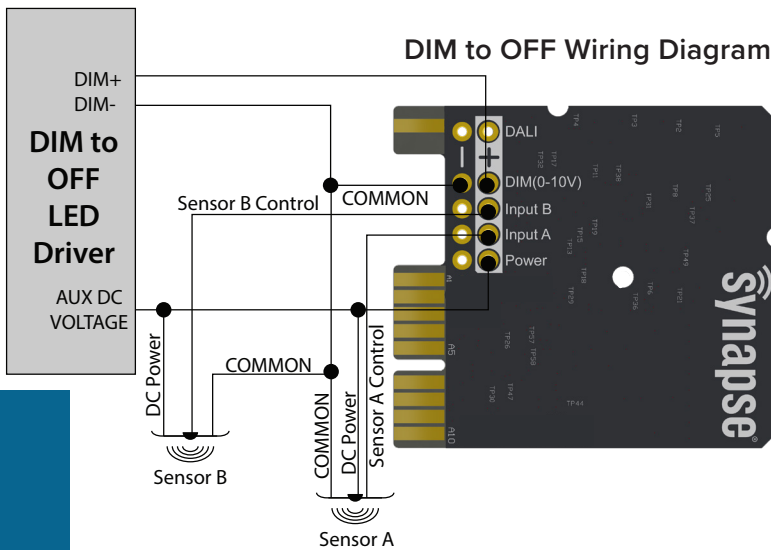
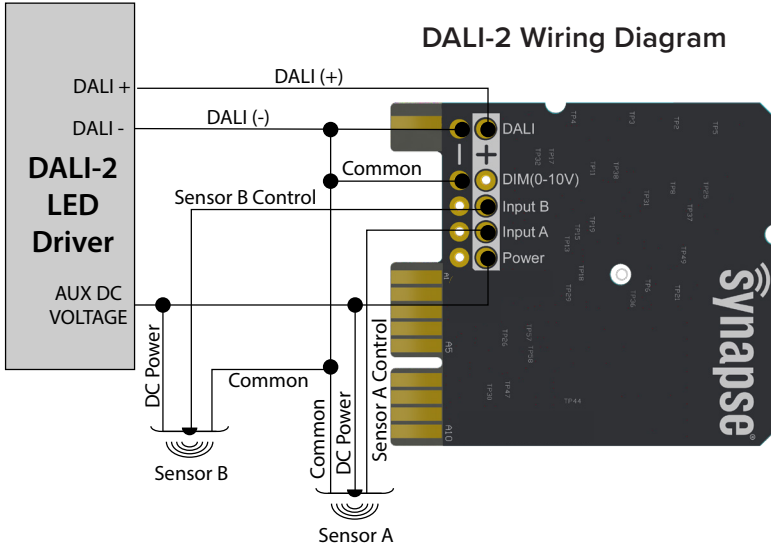
Future DALI-2 Enhancements

- Luminaire Run Time - Part 253
- Luminaire Model Data - Part 251
- LED Driver Model Data – Part 102
- Surge Detection - Part 253
- Over Temperature Counters - Part 253
- Over Current Counters - Part 253
- White Color Tuning
- Diagnostics and Alerts – Part 253

To learn more, call or visit:
synapsewireless.com
 (877) 982-7888



DIM10-087-06 WIRING DIAGRAM EXAMPLES



Note: Deployment is for inside fixtures only.
Do NOT use in a fixture to fixture design.

Product #	Description
DIM10-087-06	Bare Board, External Antenna (RF cable and Antenna not included)
DIM10-087-06-F	Bare Board, Internal antenna

SPECIFICATIONS

Dimensions	See Mechanical Datasheet for Engineering dimensions	
Input Power	5 to 24VDC	
Max Current Draw	140mA @ 5V	
Temperature	-40°C to +85°C	
Dimming	0-10V, 10 mA (Max)	
DALI-2	Limited to 4 LED Drivers	
Wire Size	15-20 AWG (.063")	
Sensor Input Specifications	Analog: 0-10V	2 Available software select
	Digital: 0-24V	
Radio	SNAP 2.4GHz ; 802.15.4 +20 dBm Transmit Power -103 dBm Receive Sensitivity	
Certifications	UL Recognized Component; CE; FCC/IC; DLC- Indoor/Outdoor; DiiA - DALI-2 Certification	
Warranty¹	5 Years	

1. See www.synapsewireless.com/warranty for warranty terms

LIGHTING CONTROLLER

u.FL RF cable and Antenna Options - optional for DIM10-087-06 model

Part #	Description
KIT-ANTUFL18-01	OUTDOOR ANT,RIGHT ANGLE,U.FL, 18" CBL,14MM BULKHEAD,O-RING
KIT-ANTUFL18-02	OUTDOOR ANT,STRAIGHT,U.FL, 18" CBL,14MM BULKHEAD,O-RING
KIT-ANTUFL18-03	OUTDOOR ANT,RIGHT ANGLE STUB,U.FL, 18" CBL,14MM BULKHEAD,O-RING
KIT-ANTUFL18-04	OUTDOOR ANT,STRAIGHT STUB,U.FL, 18" CBL,14MM BULKHEAD,O-RING

SimplySnap Site Controller options- required for all deployments

Part #	Description	Application
SS450-002	SimplySnap, WiFi, Verizon LTE, Industrial Metal Enclosure	Indoor
CBSSW-450-002	Central Base Station SS450-based Model with 5-button switch and NEMA 4X enclosure	Indoor/Outdoor